

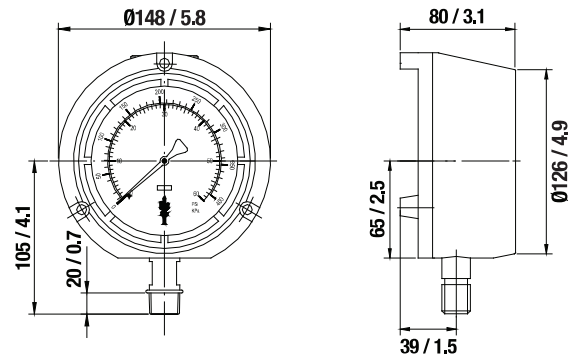
WGI Elite 450 Process Pressure Gauges (NACE)

CRN

WGI Elite 450 process gauge is engineered for the oil and gas and industrial process industries. The WGI Elite 450 process gauge was designed with the operator's safety in mind. In the event of overpressuring resulting in a leak, a solid wall separates the rupture forcing the process media through blowing out the back of the gauge.

Specifications

| | |
|---------------------------|--|
| Case Material | Polypropylene safe case solid front with blowout back |
| Fill Fluid | Silicone |
| Lens Material | Acrylic |
| Dial | White aluminum with black and red lettering (UV Resistant Paint) |
| Pointer | Black aluminum |
| Accuracy | ± 1.0% ASME B40.1 Grade 1A |
| Tube & Socket | 316L SS |
| Temperature Limits | -40°F — 140°F (-40°C — 60°C) ambient and medium |
| Pressure Ranges | -30" Hg Vacuum to 20,000 PSI / kPa |
| Sizes | 4½" |



Pressure Range Cross Reference Chart

| Series | Elite 450 | |
|------------------------|-----------|----------|
| | *1/4" BTM | 1/2" BTM |
| Connection | 4½" Dial | 4½" Dial |
| Dial Size | 4½" Dial | 4½" Dial |
| 30" Hg Vac / kPa | WP5105P | WP5605P |
| 30" Hg x 15 PSI / kPa | WP5110P | WP5610P |
| 30" Hg x 30 PSI / kPa | WP5112P | WP5612P |
| 30" Hg x 60 PSI / kPa | WP5114P | WP5614P |
| 30" Hg x 100 PSI / kPa | WP5116P | WP5616P |
| 30" Hg x 150 PSI / kPa | WP5118P | WP5618P |
| 30" Hg x 300 PSI / kPa | WP5124P | WP5624P |
| 0-15 PSI / kPa | WP5140P | WP5640P |
| 0-30 PSI / kPa | WP5142P | WP5642P |
| 0-60 PSI / kPa | WP5146P | WP5646P |
| 0-100 PSI / kPa | WP5148P | WP5648P |
| 0-160 PSI / kPa | WP5152P | WP5652P |
| 0-200 PSI / kPa | WP5154P | WP5654P |
| 0-300 PSI / kPa | WP5158P | WP5658P |

Pressure Range Cross Reference Chart

| Series | Elite 450 | |
|--------------------|-----------|----------|
| | *1/4" BTM | 1/2" BTM |
| Connection | 4½" Dial | 4½" Dial |
| Dial Size | 4½" Dial | 4½" Dial |
| 0-400 PSI / kPa | WP5160P | WP5660P |
| 0-600 PSI / kPa | WP5164P | WP5664P |
| 0-1,000 PSI / kPa | WP5172P | WP5672P |
| 0-1,500 PSI / kPa | WP5174P | WP5674P |
| 0-2,000 PSI / kPa | WP5176P | WP5676P |
| 0-3,000 PSI / kPa | WP5178P | WP5678P |
| 0-5,000 PSI / kPa | WP5182P | WP5682P |
| 0-6,000 PSI / kPa | WP5184P | WP5684P |
| 0-7,500 PSI / kPa | WP5186P | WP5686P |
| 0-10,000 PSI / kPa | WP5190P | WP5690P |
| 0-15,000 PSI / kPa | WP5192P | WP5692P |
| 0-20,000 PSI / kPa | WP5194P | WP5694P |

Index: BTM = Bottom Mount | CBM = Center Back | CBU = Center Back U-Clamp

* Not in Stock Dimensions: mm / inch